

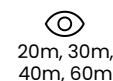
UTILIGHT SGN

LUMINAIRE FEATURES

- Metal housing with the option to choose any color from the RAL palette
- Suspended, flush-mounted and semaphore mounting options available thanks to the use of mounting kits
- Attractive, non-standard design that harmonizes with both modern interiors and traditional arrangements

AVAILABLE SYSTEMS

- STANDARD – (ST)** tests commissioned manually
- AUTOTEST – (AT)** internal components, battery and light source tests being performed automatically
- CENTRALTEST – (CT)** internal components, battery and light source tests being performed on command from the main unit
- CB** – luminaire supplied centrally from the HVCBS
- CBAM** – luminaire supplied centrally from the HVCBS, with built-in address module and operating mode selection
- LVAM** – luminaire supplied centrally with 24V DC from the LVDBS, with built-in address module and operating mode selection



20m, 30m, 40m, 60m

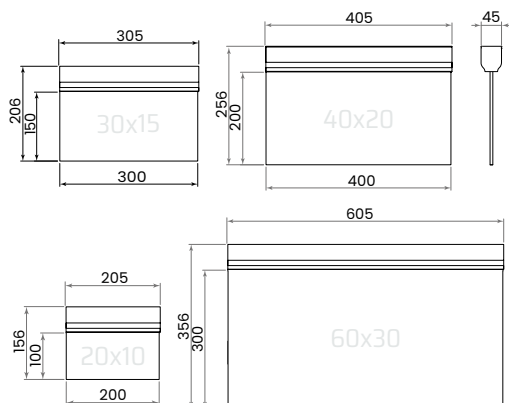


IP40, IP54



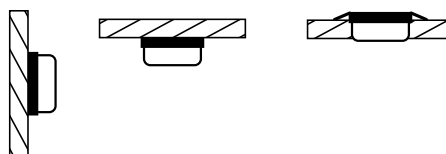
Li-Ion

DIMENSIONS



MOUNTING TYPE

Directly to the ceiling, wall or flush mounting



TECHNICAL DATA

Feature	For Version ¹⁾	Value
Material	housing	powder coated aluminum
	lampshade	clear PMMA
Supply voltage	ST, AT, CT	230V AC 50/60Hz
	CB, CBAM	230V AC 50/60Hz 170 – 275V DC
	LVAM	10 – 32V DC
Protection class	ST, AT, CT, CB, CBAM	I
	LVAM	III
Ingress protection		IP54 ²⁾ , IP40
Light source		Listwa LED ³⁾
Light source supply power	20x10, 30x15, 40x20	1W
	60x30	2W
Battery type and voltage	ST, AT, CT	Li-Ion 3.7V
Battery capacity	ST, AT, CT	0.7Ah, 2.2Ah, 4.4Ah
Battery recharging time	ST, AT, CT	≤ 12h
Emergency operation time	ST, AT, CT	1h, 3h, 8h
Ambient temperature	ST, AT, CT	+5 – +35°C
	CB, CBAM	-25 – +55°C
	LVAM	-25 – +60°C
Supply cable cross-section area		0.5 – 2.5mm ²
Supply cable diameter		≤ 17mm
Communication cable diameter	CT	≤ 7mm
Through wiring		Yes
Suitable for surface wiring	C146	Yes

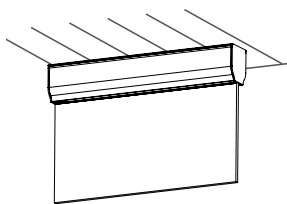
¹⁾ The value depends on the product version, the abbreviations are explained in the 'Ordering' table on the last page;

²⁾ Special variant 0054;

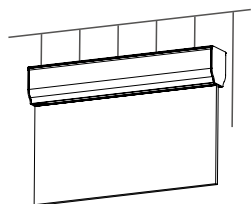
³⁾ Non-exchangeable, but serviceable light source

MOOUNTING

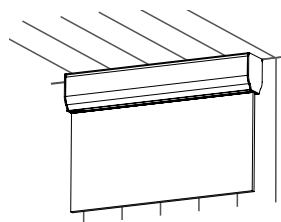
C142 – directly to the ceiling



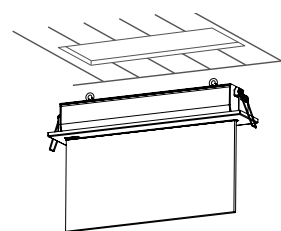
W140 – back to the wall



C146 – directly to the ceiling or back to the wall with the possibility of connecting surface-mounted wiring

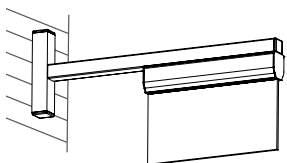


C145 – recessed (may also be ordered as **C142** + **C245** mounting kit)¹⁾

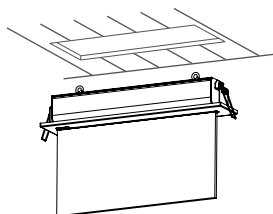


ADDITIONAL MOUNTING KITS

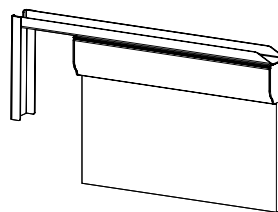
W141 – semaphore sideways to the wall with a choice of arm length¹⁾



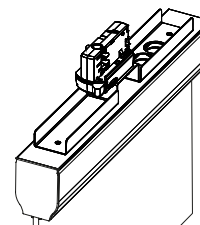
C245 – recessed supplied as self-assembly kit¹⁾



W148 – semaphore¹⁾



C147 – on busbars



UNIVERSAL MOUNTING KITS

UMK C143 – complete kit for suspension mounting on cables with adjustable length



UMK C144 - CO – complete kit for suspension mounting on cables



UMK C144 - CH – complete set for suspension mounting on chains



UMK C202 – set of hooks for hanging luminaires



UMK C200 – set of two steel cables with loops, with adjustable length (to be used together with UMK C202)



UMK C201 – set of two steel chains (to be used together with UMK C202)



¹⁾ Unavailable for dimension 60x30

SAFETY SIGNS

Signs visible on both sides

P03		PI21	
P04		PI22	
PI05		PI23	
PI06		PI24	
PI15		PI25	
PI17		PI26	
PI18		PI27	
PI55		PI56	

Signs visible on one side only

P03/00		PI21/00	
P04/00		PI22/00	
PI05/00		PI23/00	
PI06/00		PI24/00	
PI15/00		PI25/00	
PI17/00		PI26/00	
PI18/00		PI27/00	
PI55/00		PI56/00	

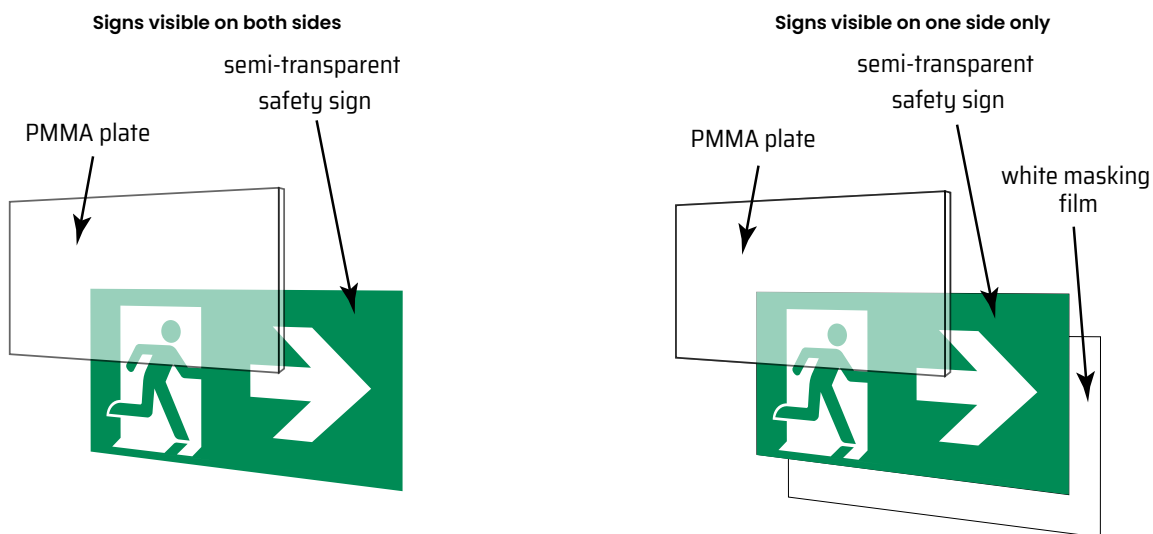
SET OF SAFETY SIGNS



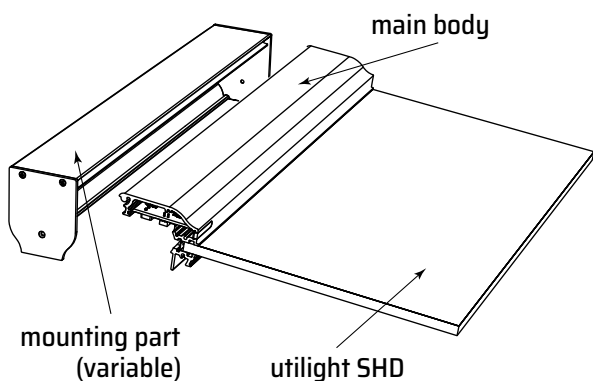
The set consists of 4 safety signs.

It allows to compose your own sign **PIXX** from „Safety signs“ table by selection stickers and arrow rotation.

UTILIGHT SHD CONSTRUCTION



LUMINAIRE CONSTRUCTION



ORDERING UTILIGHT SHD

UTILIGHT SHD 0000 - 30x15 - PI21 - HYB

Safety sign dimension:

- 20x10** – 20x10cm
- 30x15** – 30x15cm
- 40x20** – 40x20cm
- 60x30** – 60x30cm

Safety sign:

... – see table „Safety signs“

X – transparent lamp shade (without sign)

ORDERING

UTILIGHT SGN 0000 - 30x15 - ST - 3h - M - 9003 - FT - C142 - P121

Variant:

0000 – base

0001 – 0000 with extended warranty

0054 – z IP54

0154 – 0054 with extended warranty

Safety sign dimension:

20x10 – 20x10cm

30x15 – 30x15cm

40x20 – 40x20cm

60x30 – 60x30cm

System variant:

ST – standard – manual tests, built-in battery

AT – autotest – automatic tests, built-in battery

CT – centraltest – automatic tests requested by the control unit, built-in battery

CB – centrally supplied luminaire

CBAM – centrally supplied luminaire, with address module

LVAM – luminaire powered centrally with 24V DC, with address module

Emergency operation time:

1h – 60 minutes

3h – 180 minutes

8h – 480 minutes ¹⁾

X – not applicable (CB, CBAM, LVAM)

Operation mode:

M – maintained/non-maintained

SM – switched maintained ²⁾

CI – cinema ³⁾

X – not applicable (CB, CBAM, LVAM)

Housing colour:

9016 – RAL 9016

7042 – RAL 7042

7016 – RAL 7016

9005 – RAL 9005

... – other from RAL palette on special order

Surface finish:

FT – fine texture

... – other on special order

Mounting:

C142 – directly to the ceiling

C145 – recessed ⁴⁾

C146 – directly to the ceiling or back to the wall

W140 – back to the wall

Safety signs:

... – see table „Safety signs“ ⁵⁾

S – set of safety signs ⁶⁾

X – without PC plate (Utilight SHD ordered separately)

¹⁾ 8h working time is not available for 20x10cm i 60x30cm; ²⁾ SM operating mode not available for 20x10cm;

³⁾ only for ST and CT, CI not available for 20x10cm, ⁴⁾ does not apply to dimensions 60x30cm;

⁵⁾ for dimensions 60x30cm not all pictograms are available as standard; ⁶⁾ only for 30x15cm