

# OWA ALFA LED



IP20  
IP65



**OWA ALFA LED** is a recessed luminaire with highly efficient LED, designed for emergency lighting. Its main task is to illuminate escape routes, evacuation signs, working places and public buildings rooms, etc.

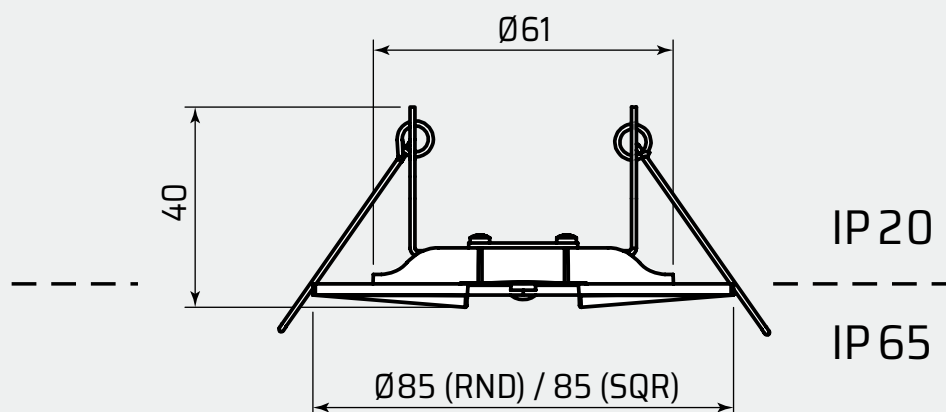
Round (RND) and square (SQR) light sources available.



**AREA/AREA PLUS**



**ROAD PLUS**



## LUMINAIRE FEATURES

- Deep discharge battery protection
- Lighting of escape routes, open spaces and fire points
- Small light source housing made of PC/ABS plastic
- Wide range of optics

## TECHNICAL DATA

Supply voltage	230V AC 50/60Hz	
Protection class	I	
Ingress protection light source/ emergency module	IP65 / IP20	
Light source	LED Module <sup>1)</sup>	
Light colour temperature	5700K	
Colour rendering index	70	
Light source supply power	3W	
Minimum luminous flux	RP	238 lm
	AP	233 lm
	AR	265 lm

Light source lifespan	> 50 000h
Battery type / voltage	Ni-Cd / 4.8V
Battery capacity	1.0Ah; 1.5Ah; 2.5Ah
Battery charging time	< 24h
Emergency operation time	1h, 3h
Ambient temperature	+5 - +35°C;
Supply cable cross-section area	0.5 - 2.5mm <sup>2</sup>
Supply cable diameter	≤ 8mm
Suitable for through wiring	YES

<sup>1)</sup> Non-exchangeable, but serviceable light source

## MATERIAL

**Light source housing material** - PC/ABS

**Light source housing colour** - ○ RAL 9016, ● RAL 7042, ● RAL 9005

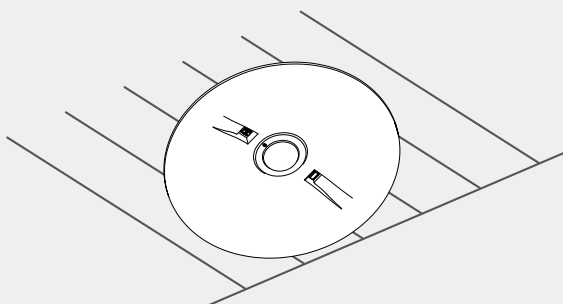
**Power supply material** - steel

## AVAILABLE SYSTEM

**AUTOTEST** - (AT) internal components, battery and light source tests being performed automatically

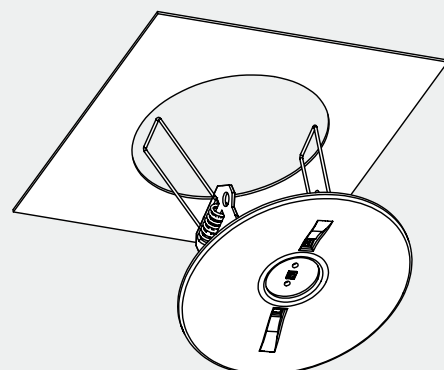
## MOUNTING TYPE

Recessed



## MOUNTING KIT

**C125** - Is used to mount luminaires in a raster ceiling



## AVAILABLE OPTICS

**AREA** - (AR) symmetrical light distribution in all directions, recommended for use in places of considerable height or to illuminate fire points

**AREA PLUS** - (AP) symmetrical light distribution in all directions, ensuring adequate illumination on a large area

**ROAD PLUS** - (RP) light distribution mainly along the escape route with a long range, for small heights

## DISTANCE TABLES

### Tables for open area lighting

#### AREA; 5700K

↑ [m]	‡↔0	0↔0
2	3,4	8,2
2.5	3,8	9,1
3	4,1	9,9
3.5	4,4	10,6
4	4,7	11,2
4.5	4,9	11,9
5	5	12,4
5.5	5,1	13
6	5,2	13,4
6.5	5,1	13,8
7	5,1	14,1
7.5	5	14,3
8	4,8	14,4
8.5	4,7	14,5
9	4,4	14,5
9.5	4,1	14,4
10	3,7	14,3
10,5	3,2	14,1
11	2,5	13,8
11,5	1,3	13,5

#### AREA PLUS; 5700K

↑ [m]	‡↔0	0↔0
2	4.6	11.3
2.5	4.8	12.5
3	4.8	13.2
3.5	4.7	13.6
4	4.4	13.6
4.5	4.2	13.4
5	4.0	13.1
5.5	3.4	12.7
6	2.4	12.2

### Table for escape routes

#### ROAD PLUS; 5700K

↑ [m]	‡↔◊	◊↔◊	◊↔◊	◊↔◊	‡↔◊
2	7.6	17.1	11.2	5.8	2.4
2.5	8.8	19.8	12.9	6.5	2.5
3	9.8	22.3	14.5	6.8	2.6
3.5	10.7	24.7	15.7	7.1	2.6
4	10.7	26.8	16.8	7.3	2.6
4.5	10.0	28.7	17.0	7.4	2.4
5	9.1	29.2	16.6	7.4	2.1
5.5	7.9	29.7	15.9	7.2	1.8
6	4.8	28.7	13.5	7.0	1.2

The distance tables for flat escape routes are based on the following parameters:

- Maintenance factor: 0.77
- The minimum illuminance on centerline: 1.00 lx
- Minimum illuminance on half of escape route width: 0.50 lx
- Diversity on the centre line max.: 40:1
- Escape routes width: 2.00 m

The distance tables for open area lighting are based on the following parameters:

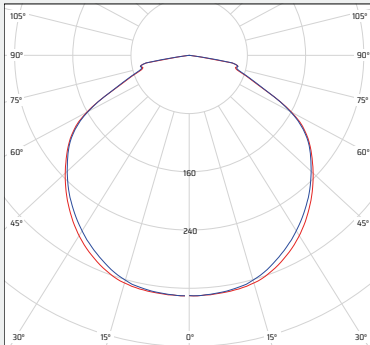
- Maintenance factor: 0.77
- Minimum illuminance at the floor level: 0.50 lx
- Diversity on the centre line max.: 40:1

LEGEND:

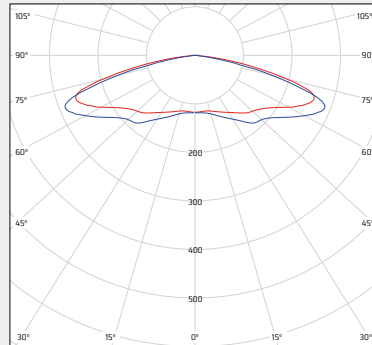
↑ - fixture mounting height; ‡↔0 - distance between the wall and the fixture; 0↔0 - distance between the fixtures; ‡↔◊ - distance between the wall and the luminaire placed longer angle of light parallel to the wall; ◊↔◊ - distance between the luminaires placed longer angle of light parallel to each other; ◊↔◊ - distance between the luminaires placed longer angle of light perpendicular to each other; ◊↔◊ - distance between the luminaires placed shorter angle of light parallel to each other; ‡↔◊ - distance between the wall and the luminaire placed shorter angle of light parallel to the wall

## LIGHT DISTRIBUTION CURVES

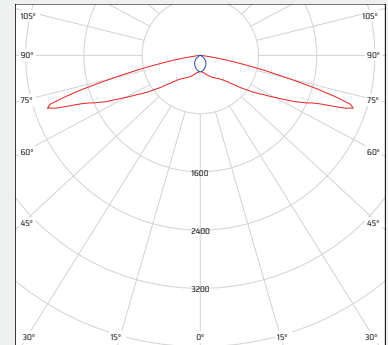
AREA (AR)



AREA PLUS (AP)



ROAD PLUS (RP)



cd/klm — — C0 - C180 — C90 - C270

## ORDERING

**OWA ALFA LED 0000 - EN - RP - 3W - AT - 3h - NM - TS - CW - L040 - 9016 - RND**

Variant:

**0000** - base variant

**0001** - extended warranty variant

Optics:

**AR** - area

**AP** - area plus

**RP** - road plus

Emergency operation time:

**1h** - emergency operation time of 60 minutes

**3h** - emergency operation time of 180 minutes

The distance between the light source and the power module:

**L040** - 40cm of cable length (standard)

...

**L100** - 100cm of cable length

Housing colour:

**9016** -  RAL 9016

**7042** -  RAL 7042

**9005** -  RAL 9005

... - other on special order

Light source shape:

**RND** - round

**SQR** - square