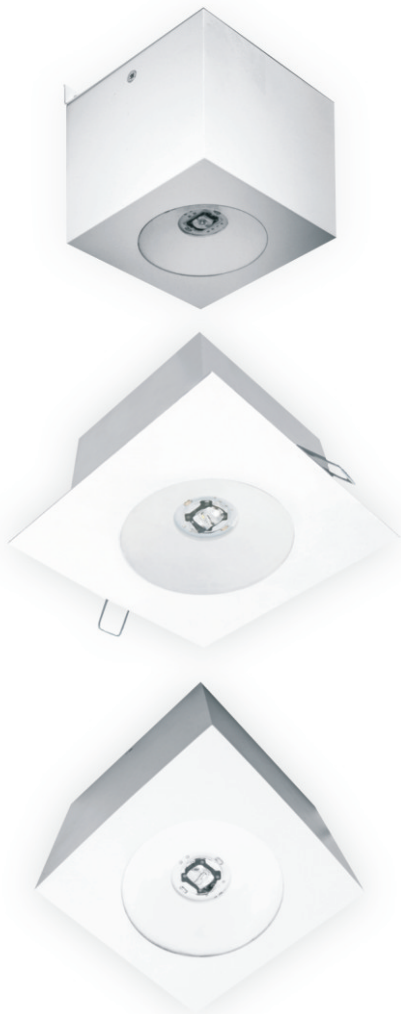




CE N-IP20, P-IP65



### General purpose

Kwadra LED, equipped with LED light source, is a highly efficient luminaire designed for emergency lighting. Its main task is to illuminate emergency escape routes, emergency escape exits and rooms in public facilities, work places, etc. It is compatible with all emergency lighting systems offered by Hybryd. Different versions available including optics, LED type and mounting type: surface mounted or recessed.

Additional information about emergency lighting luminaires - p. 24

### Technical data

CATEGORY		VALUE
Power supply		230V 50-60Hz
Power consumption	maintained	<14VA
	non-maintained	<5VA
Protection class		I
Radio noise		Level N
Protection degree		N-IP20, P-IP65
Light source		LED Module <sup>1</sup>
Moc źródła światła		3W
Luminous flux	ROAD	260 lm
	ROAD PLUS	
	SIDE	
	AREA	225 lm
Light source lifespan		>50.000h
Emergency work time		1h; 2h; 3h
Accumulator type		Ni-MH HT
Accumulator capacity		1,6Ah; 2,1Ah; 4,0Ah
Accumulator voltage		4,8V
Recharging time		24h
Ambient temperature		+10°C - +35°C
Connector		0,5 - 2,5mm <sup>2</sup>

<sup>1</sup> - unchangeable light source

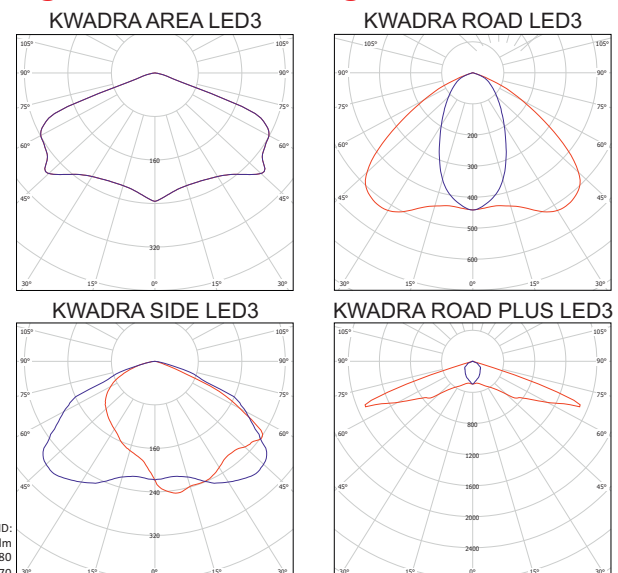
### Casing

Body material - steel  
Casing colour - white, black  
Different colours available

### Available versions

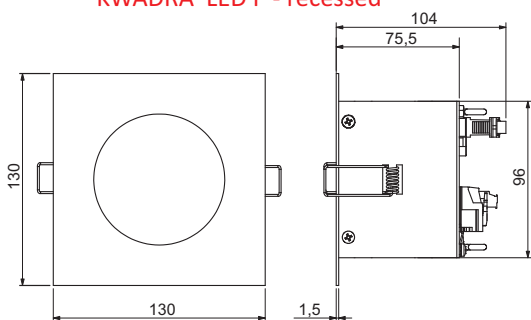
Check final pages of this catalogue.

### Light distribution diagrams



### Dimensions

KWADRA LED P - recessed



KWADRA LED N - surface mounted

