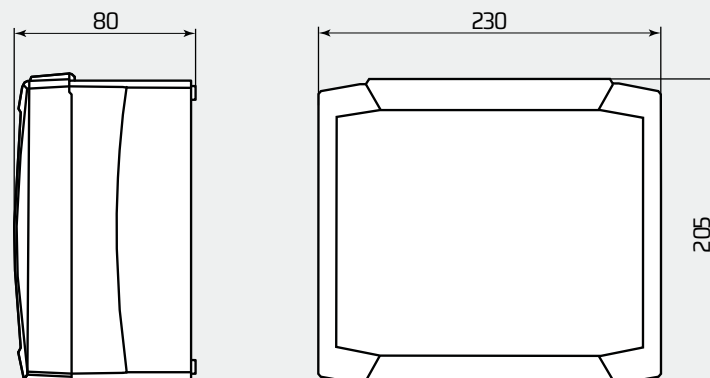


# H-302C CONTROL UNIT



The H-302 control unit - is the simplest solution of the CENTRALTEST system that allows to monitor up to 7936 luminaires and operate using a touch screen.

The main purpose of H-302 C unit is supervision and control over efficiency of all connected system components.



- Initiation of automatic and manual tests of all system components
- Test results registration
- Generation of alarms in case of any failure
- Saving test results on the external USB memory
- Automatic luminaires control in the group addressing system
- Control of luminaires from fire safety group
- Night lighting control
- Connection to BMS



## TECHNICAL DATA

Supply voltage	230V AC 50Hz
Power consumption	5VA
Protection class	I
Ingress protection	IP65
Radio-electric disturbances	N level
Line galvanic separation	1500V
Line loading (1 of 4)	Max. 64 luminaires or 31 expanders

Emergency operation time (tau)	3h
Number of the serviced luminaires	7936 - independent addresses
Group controlling	Max. 4 groups + 1 fire protection group
Zones controlling	Max. 127 zones
Tests	A, B, C Test
Communication line length	Max. 1000m

## MATERIAL

**Housing material** - high quality ABS plastic and polycarbonate

**Housing Colour** - ● RAL 7035 / ● RAL 7024

## APPLICATION

The CENTRALTEST system installation consists of combined CT luminaires in parallel to the control unit with the EIA/TIA-485 line. Maximum 64 luminaires may be placed on one control unit line. To connect a larger one number of devices should be used H-311 CTB-CTB network expander. The network expander output creates separate lines for subsequent 64 devices.

## NETWORK TOPOLOGY

